

Proper Topper™

Chimney Caps and Liner Terminations

Lining your flue is a great idea, but what about that ugly piece of pipe sticking out the top of your beautiful chimney?

Now, with our Proper Topper™, you can add elegance to your chimney and properly cap or terminate your chimney liner at the same time.

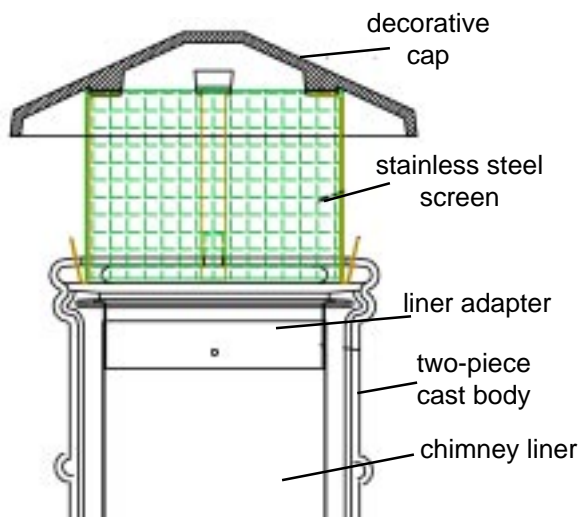
These “short chimney pots” are lightweight, unbreakable and install quickly with no special tools or masonry work. Units can also be supplied without interior stainless adapter for custom and flexible uses.

The Proper Topper™ can be used as a stand-alone chimney cap for masonry flues. Installation is as simple as tightening 4 screws against the flue tile.

Chimney caps never looked so good!

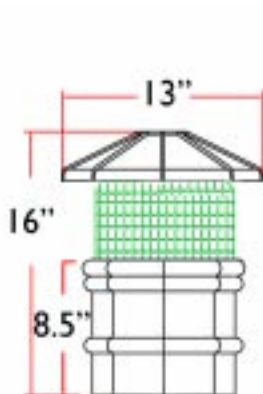


PT1212 with Chimney Cap base

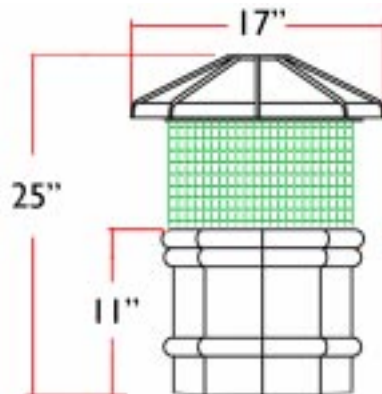


The Proper Topper™ is built from cast aluminum with stainless steel screen and hardware. The body is made in two halves which allows for easy installation of the chimney liner.

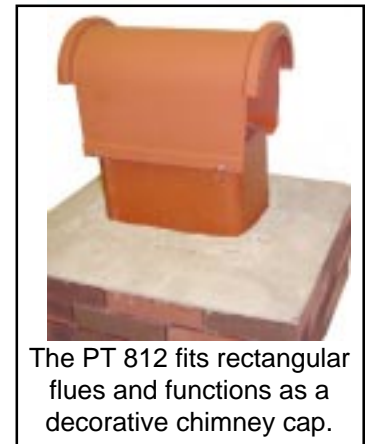
Various adapters can be ordered with your Proper Topper™ to terminate any standard size round chimney liner (3" to 10")...or, you can also order the Proper Topper™ with a cap base and use it as a standard chimney cap for masonry flues.



PT88 Measurements
accepts up to 7" pipe
base width: 8.5"
www.extendaflue.com
phone:1-413-527-5820



PT1212 Measurements
accepts up to 10" pipe
base width: 11.5"



The PT 812 fits rectangular flues and functions as a decorative chimney cap.

Extend-a-Flue

email: extend@hearth.com
fax:1-413-280-0178