

Extend-a-Flue

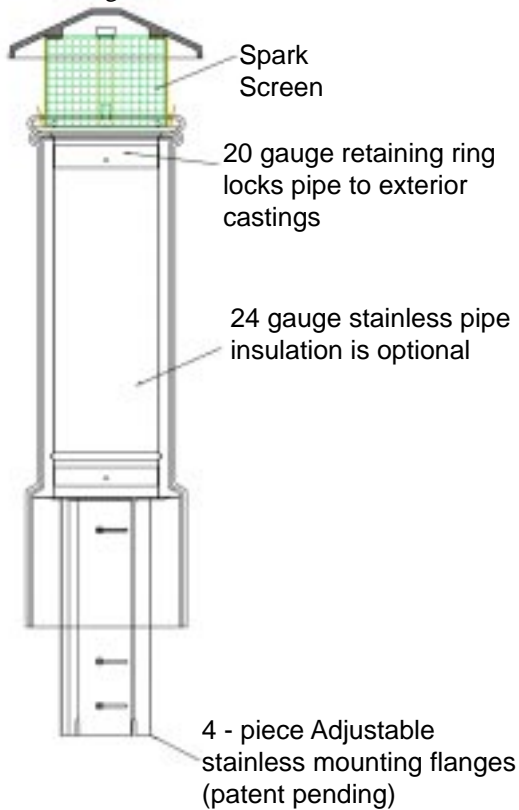
Cast Classic
Chimney Pots

Extend-a-Flue™ is the easy, safe and stylish way to extend your masonry chimney or terminate a stainless steel relining. Our Cast Classics have a unique exterior that is hand-cast from molten aluminum. The style is reminiscent of 19th century clay chimney "pots" which were installed on many Victorian Era homes. The Cast Classics feature a stainless steel interior liner, unique mounting system*, cap and screen.

Our Chimney Pots are lightweight, unbreakable and install in less than one hour with no special tools or masonry work required.

Cast Classic Chimney Pots can be purchased without the interior stainless system for other uses, including the termination of complete stainless chimney lining or for various decorative purposes.

* Patents Pending

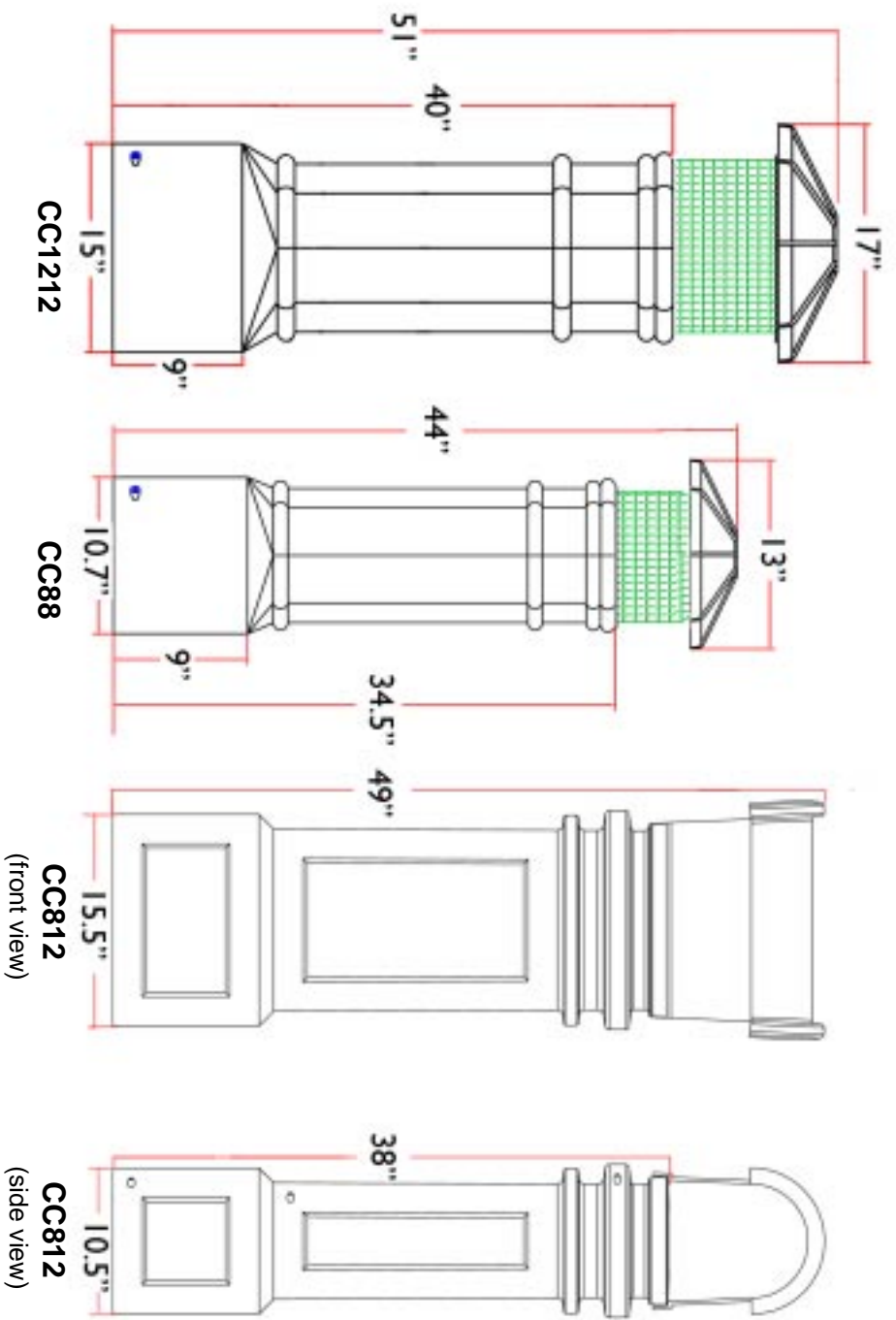


CC812
For Rectangular Flues




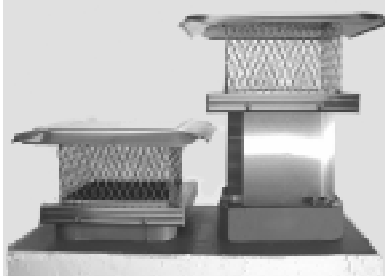

CC88 & CC1212
For Square Flues

Extend-A-Flue™ Cast Classics come in 3 Sizes

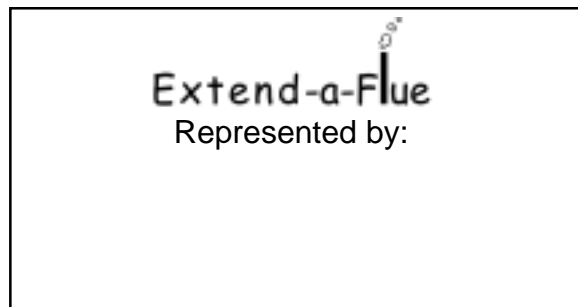


Fit:	CC88 6.25" to 7.75" ID Sq. Flue Tiles	CC1212 10.5" to 11.75" ID Sq. Flue Tiles	CC812 6.25" to 7.5" x 10.25" to 11.5" Rect. Flue Tiles
Interior:	7" Round	10" Round	6.25" x 10.25" Rectangular
Carton Size:	12"x12"x40"	17"x17"x45"	
Weight:	36 lbs	60 lbs	48 lbs

Other chimney enhancements from Extend-A-Flue™

		
<p>Propper Topper™ Decorative and functional chimney terminations. For relining or as stand alone chimney cap.</p>	<p>Boost-A-Cap™ Stainless steel cap extension helps with smoke crossover and allows installation of two caps side by side.</p>	<p>Model T Tapered insulated flue extension allows installation of any cap or damper.</p>

Visit www.extendaflue.com for more new products!



copyright 2005 - Extendaflye Corporation
www.extendaflye.com - extend@hearth.com